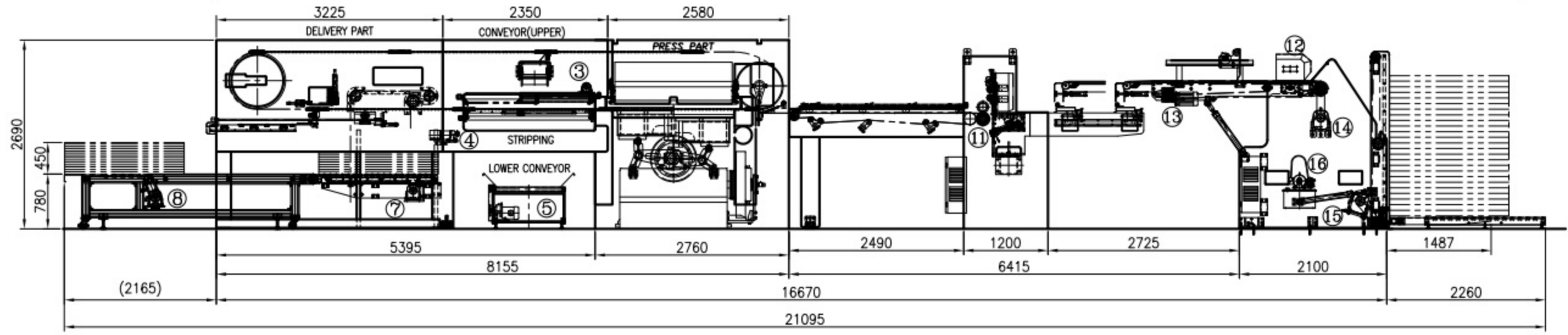
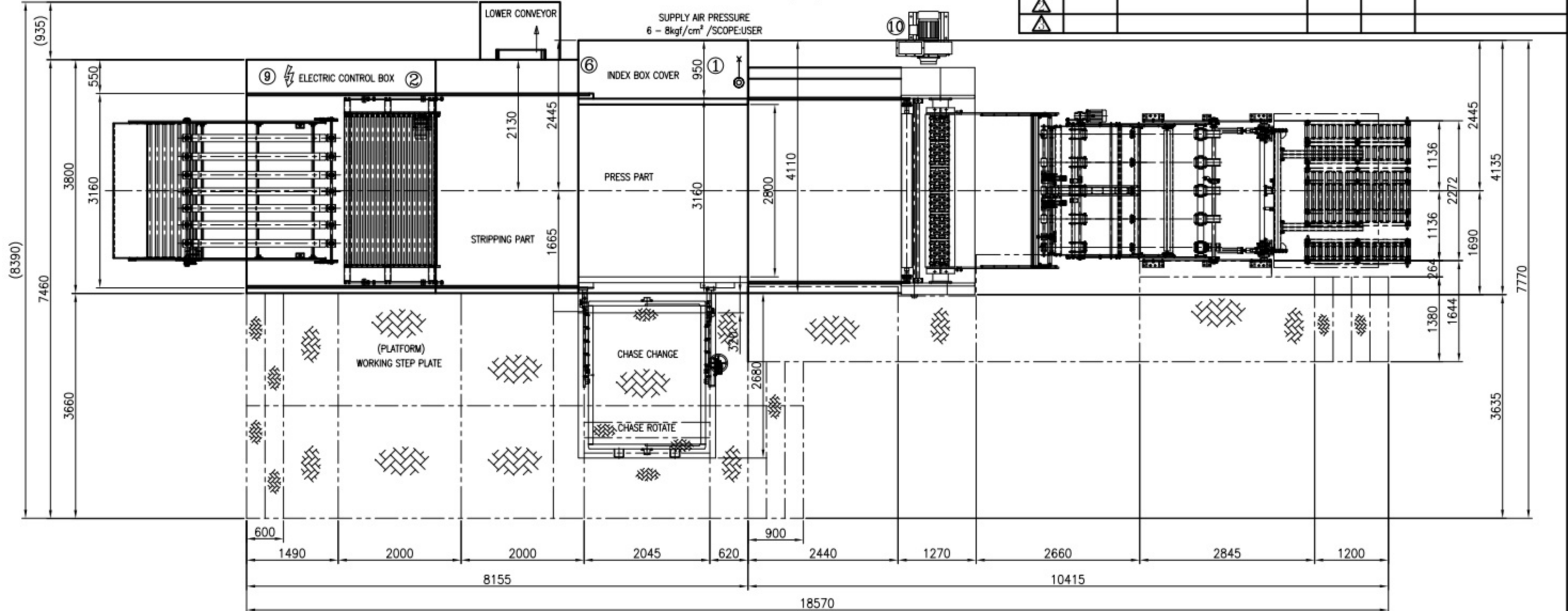


DWG NO.

WT-1700 x 2500SF(I)-Pre Feeder (A) LAY - OUT

CHK	DATE	CONTENTS	DRAW	APPD	REMARKS
△					
△					
△					



NO	PART NAME	ELECTRICAL POWER	NO	PART NAME	ELECTRICAL POWER	NO	PART NAME	ELECTRICAL POWER	NO	PART NAME	ELECTRICAL POWER	NO	PART NAME	ELECTRICAL POWER	100 LAY - OUT							
1	MAIN MOTOR	45 KW (6P)	5	LOWER CONVEYOR MOTOR	0.75 KW	9	DELIVERY TABLE MOTOR	0.75 KW	13	BELT CONVEYOR MOTOR	1.5 KW				NO.	DESCRIPTION	MAT'L	Q'TY	WEIGHT	REMARKS		
2	DELIVERY E/L MOTOR	2.2 KW	6	OIL MOTOR	0.4 KW	10	SUCTION BLOWER MOTOR	7.5 KW	14	CONVEYOR SLIDE MOTOR	0.75 KW				SCALE	UNIT	MACHINE TYPE	WT-N2500SF	DRW	DSN	CHK	APP
3	UPPER STRIPPING MOTOR	0.2 KW	7	DELIVERY E/L CONVEYOR MOTOR	0.75 KW	11	SUCTION SERVO MOTOR	0.75 KW	15	ELEVATOR MOTOR	1.5 KW				1/35	mm	TITLE	SEMI-AUTO DIE CUTTER	Choi m h			
4	STRIPPING MOTOR	0.2 KW	8	DELIVERY CONVEYOR MOTOR	0.75 KW	12	SHEET GUIDE MOTOR	0.75 KW	16	HYD. UNIT MOTOR	3.7 KW						LAY - OUT					
												TOTAL ELECTRICAL POWER		68.5 KW		Wookil Machinery Co., Ltd						
															DWG NO.		LAY-2500SF					
															DATE		2012.11.20					